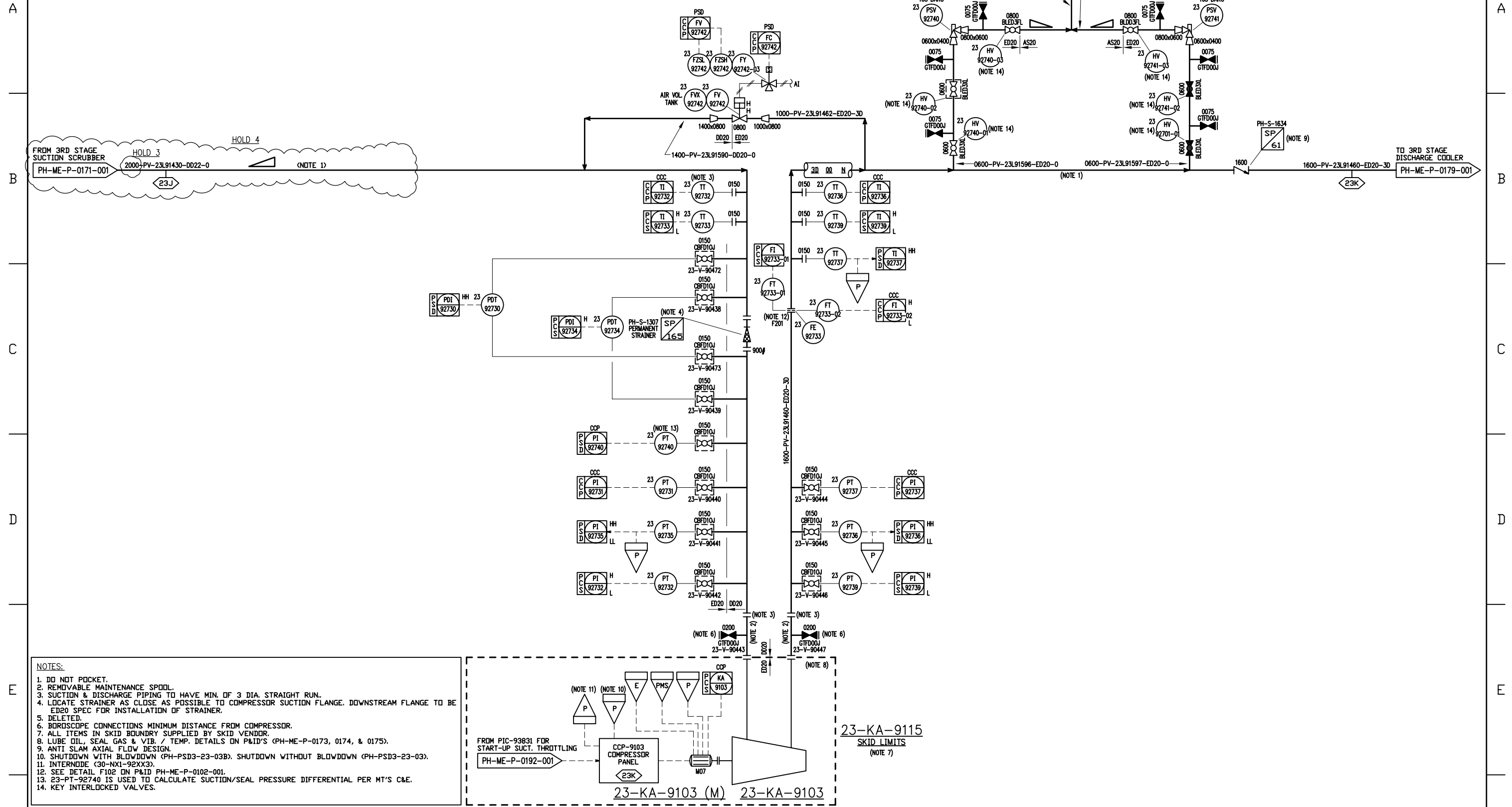


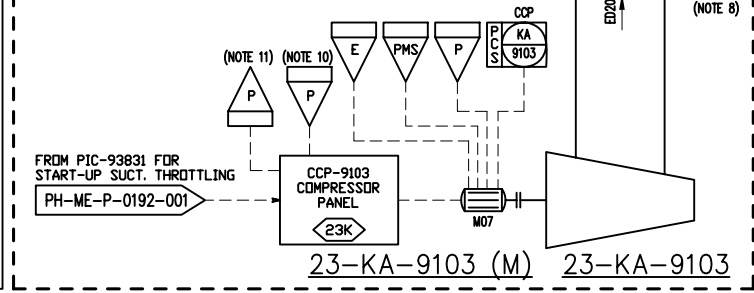
23-XX-9115
3RD STAGE COMPRESSOR SKID

23-KA-9103
3RD STAGE COMPRESSOR
CAPACITY: 7.9MM SM3/D AT 37.7 DELTA BAR
DRIVER: 11,000 KW AT 9000 RPM



NOTES:

1. DO NOT POCKET.
2. REMOVABLE MAINTENANCE SPOOL.
3. SUCTION & DISCHARGE PIPING TO HAVE MIN. OF 3 DIA. STRAIGHT RUN.
4. LOCATE STRAINER AS CLOSE AS POSSIBLE TO COMPRESSOR SUCTION FLANGE. DOWNSTREAM FLANGE TO BE ED20 SPEC FOR INSTALLATION OF STRAINER.
5. DELETED.
6. BORDSCOPE CONNECTIONS MINIMUM DISTANCE FROM COMPRESSOR.
7. ALL ITEMS IN SKID BOUNDARY SUPPLIED BY SKID VENDOR.
8. LUBE OIL, SEAL GAS & VIB. / TEMP. DETAILS ON P&ID'S (PH-ME-P-0173, 0174, & 0175).
9. ANTI SLAM AXIAL FLOW DESIGN.
10. SHUTDOWN WITH BLOWDOWN (PH-PSD3-23-03B). SHUTDOWN WITHOUT BLOWDOWN (PH-PSD3-23-03).
11. INTERNODE (30-NX1-92XX3).
12. SEE DETAIL F102 ON P&ID PH-ME-P-0102-001.
13. 23-PT-92740 IS USED TO CALCULATE SUCTION/SEAL PRESSURE DIFFERENTIAL PER MT'S C&E.
14. KEY INTERLOCKED VALVES.



Field for file specification:
Field for date and time :

NOTES:

REV	DATE	BY	DESCRIPTION	CHK	ENGR	APPR	CLIENT
1	09MAY08	JDK	RE-ISSUED FOR CONSTRUCTION	RAK	JC/PS/AL	SVS	
0	01OCT07	JDK	ISSUED FOR CONSTRUCTION	JTG	JC/ES/AB	SVS	

10910		PH		ME		P		0172		001	
-------	--	----	--	----	--	---	--	------	--	-----	--

Wood Group Engineering
(North Sea) Ltd.

MUSTANG INTERNATIONAL, LP
HOUSTON, TEXAS

PROJECT NO. 10910

VALHALL RE-DEVELOPMENT PROJECT
PIPING & INSTRUMENT DIAGRAM
3RD STAGE COMPRESSOR

REGISTRATION CODES				DRAWING NO.				SCALE
AREA	SYSTEM	TYPE	FACILITY CODE	ORIG.	DISP.	SEQ. No.	SHEET	NONE
T	23	XB	PH	ME	P	0172	001	REV. 1